

eSET Touchfree Basin mixer without temperature setting for combining with wall-mounted fittings -

35 743 970



- lead-free
- 1x back flow preventer
- 1x male 1/2" connector
- dust cover
- 1x pre-seal
- concealed installation
- min. recess depth 90 mm
- max. recess depth 125 mm

Can be combined with spouts from the Vaia, Lissé, CL.1, IMO, Tara., Tara Logic, Meta.02, Deque, Supernova, Symetrics, LULU and MEM series

Cannot be combined with spouts with a pull-rod pop-up waste.

Please combine with item no. 10 126 970-FF

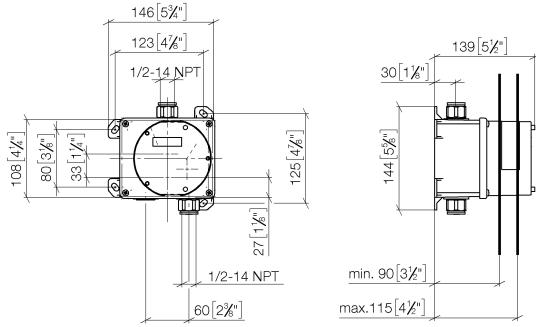
Other series and finishes on request (x-TRA SERVICE)

ATTENTION: Separate terms and conditions for electronic articles are applicable.



eSET Touchfree Basin mixer without temperature setting for combining with wall-mounted fittings -

35 743 970
mm [inches]

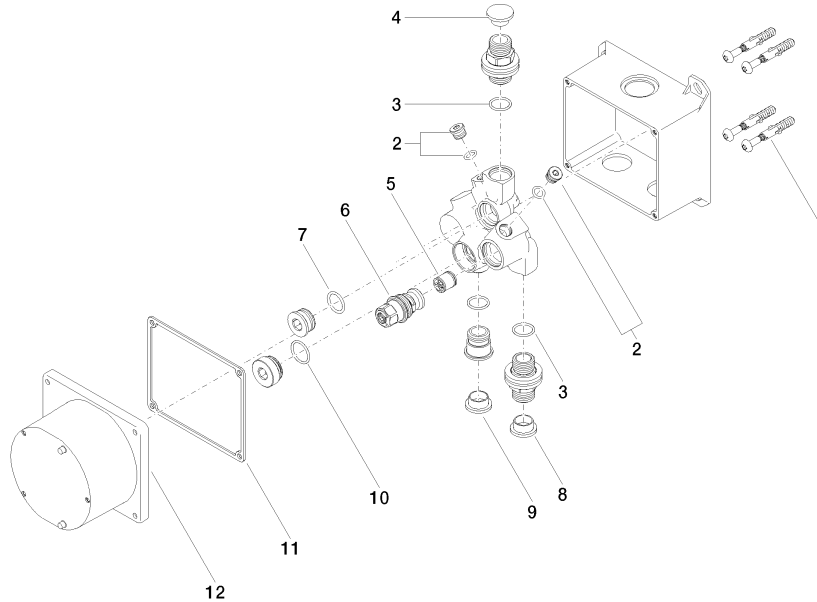


Codes & Standards

UL 1951

eSET Touchfree Basin mixer without temperature setting for combining with wall-mounted fittings -

35 743 970



Spare parts list

| No. | Item Number | Name | Quantity used | Delivery time |
|-----|--------------------|---------------------|---------------|---------------|
| 1 | 04 30 31 024 01 90 | fixing set | 2 | 2 |
| 2 | 04 31 20 039 11 90 | plug | 2 | 2 |
| 3 | 90 14 10 010 00 90 | seal | 3 | 2 |
| 4 | 09 31 20 092 90 | plug | 1 | 2 |
| 5 | 90 23 01 040 00 90 | back-flow preventer | 1 | 2 |
| 6 | 04 29 05 031 01 90 | insert | 1 | 2 |
| 7 | 09 14 10 117 90 | seal | 1 | 2 |
| 8 | 09 31 20 094 90 | plug | 1 | 2 |
| 9 | 09 31 20 093 90 | plug | 1 | 2 |
| 10 | 09 14 10 031 90 | seal | 1 | 2 |
| 11 | 09 14 03 103 90 | seal | 1 | 2 |
| 12 | 09 11 11 011 90 | lid | 1 | 2 |